

APERIO GT 450 DX

DIGITAL PATHOLOGY SLIDE SCANNER

SPECIFICATIONS



Advancing Cancer Diagnostics
Improving Lives

Aperio GT 450 DX Specifications

MAN-0506, Revision B | May 2024

This manual applies to Aperio GT 450 DX and Aperio GT 450 SAM DX Software version 1.2.


Copyright Notice

- Copyright © 2024 Leica Biosystems Imaging, Inc. All Rights Reserved. LEICA and the Leica logo are registered trademarks of Leica Microsystems IR GmbH. Aperio, GT, and GT 450 are trademarks of Leica Biosystems Imaging, Inc. in the USA and optionally in other countries. Other logos, products, and/or company names might be trademarks of their respective owners.
- This product is protected by registered patents. For a list of patents, contact Leica Biosystems.

Customer Resources

- For the latest information on Leica Biosystems Aperio products and services, please visit [LeicaBiosystems.com/Aperio](https://www.leicabiosystems.com/Aperio).

Contact Information – Leica Biosystems Imaging, Inc.

Headquarters	Customer Support
 Leica Biosystems Imaging, Inc. 1360 Park Center Drive Vista, CA 92081 USA Tel: +1 (866) 478-4111 (toll free) Direct International Tel: +1 (760) 539-1100	Contact your local support representative with any query or service request. https://www.leicabiosystems.com/contact-us/

IVD

R_x Only

UDI

815477020525, 815477020518

REF

23GT450DXUS, 23SAMSWDXUS

Table of contents

Notices	4
Revision Record	4
Cautions and Notes	5
Introduction	7
Aperio GT 450 DX Components	7
Aperio GT 450 DX Scanner Specifications	8
General Scanner Specifications	8
Aperio GT 450 DX Features	9
Performance Specifications	9
Power Specifications	10
Slides and Rack Specifications	10
Barcode specifications	11
Barcode characters supported	11
Barcode string length specifications	12
Environmental Specifications	12
Network Specifications	13
SAM DX Server Minimum Specifications	14
Aperio GT 450 DX Compliance Specifications	15
Aperio GT 450 DX Recommended Network Configuration	16

Notices

Revision Record

Rev.	Issued	Sections Affected	Detail
B	May 2024	SAM DX Server Minimum Specifications	Removed an erroneous statement that indicated the use of virtualized servers (VMs) was not recommended (on page 14).
A	April 2024	All	New manual for Aperio GT 450 DX 1.2

Cautions and Notes

- **Serious Incidents Reporting** – Any serious incident that has occurred in relation to the Aperio GT 450 DX shall be reported to the manufacturer and the competent authority of the member state in which the user and/or the patient is established.
- **Specifications and Performance** – For device specifications and performance characteristics, see this document, *Aperio GT 450 DX Specifications*.
- **Installation** – Aperio GT 450 DX must be installed by a trained Leica Biosystems Technical Services representative.
- **Repair** – Repairs may be done only by a trained Leica Biosystems Technical Services representative. After repairs are done, ask the Leica Biosystems technician to perform operation checks to determine the product is in good operating condition.
- **Accessories** – For information on using Aperio GT 450 DX with third-party accessories such as a Laboratory Information System (LIS) not provided by Leica Biosystems, contact your Leica Biosystems Technical Services representative.
- **Interoperability** – Aperio GT 450 DX can be configured to send data to the Sectra Digital Pathology Module Version 3.3. For more information, refer to Chapter 2 of *Aperio GT 450 DX IT Manager and Lab Administrator's Guide*. Note that Aperio GT 450 DX is not designed to control other devices.
- **Quality Control** – For information on image quality checks, see the *Aperio GT 450 DX User's Guide*.
- **Maintenance and Troubleshooting** – For information on maintenance and troubleshooting, see the *Aperio GT 450 DX User's Guide*.
- **Cybersecurity** – Be aware that workstations are susceptible to malware, viruses, data corruption, and privacy breaches. Work with your IT administrators to protect workstations by following your institution's password and security policies.

To protect workstations and servers from malware intrusion, use caution when inserting USB drives and other removable devices. Consider disabling USB ports that are not in use. If you plug in a USB drive or other removable device, you should scan the devices with an anti-malware utility. For Aperio recommendations on protecting your workstations and servers, see the document *Aperio GT 450 DX IT Manager and Lab Administrator's Guide*.

If a suspected Aperio GT 450 DX cybersecurity vulnerability or incident is detected, contact Leica Biosystems Technical Services for assistance

As a system security measure, Leica Biosystems products capture and log external attempts to access system data. For more information, contact your Leica Biosystems representative.

- **Training** – This manual is not a substitute for the detailed operator training provided by Leica Biosystems or for other advanced instruction.
- **Safety** – This device is intended for indoor use only. Safety protection may be impaired if this device is used in a manner not specified by the manufacturer.



For additional information on this product, including intended use and symbols glossary, see the primary instructions for use, *Aperio GT 450 DX User's Guide*.

Introduction

The Aperio GT 450 DX is intended for use by trained clinical pathology histotechnicians, while the Aperio GT 450 DX SAM DX software is intended for use by IT professionals and laboratory administrators.

The Aperio GT 450 DX is intended for use in medium- to high-volume clinical pathology laboratories that support the pathology services of a hospital, reference laboratory or other clinical facility.

It is the responsibility of a qualified pathologist to employ appropriate procedures and safeguards to assure the validity of the interpretation of images obtained using the Aperio GT 450 DX. Pathologists should exercise professional judgment in each clinical situation and examine the glass slides by conventional microscopy if there is doubt about the ability to accurately render an interpretation using this device alone.

Ensure you follow appropriate good laboratory practices and the policies and procedures required by your institution for slide preparation, processing, storage, and disposal. Use this equipment only for this purpose and in the manner described in the *Aperio GT 450 DX User's Guide*.



See the manuals for your digital slide viewer for specifications for monitors and workstations.

Aperio GT 450 DX Components

The Aperio GT 450 DX requires these components for administering the scanner:

Component	Description
Scanner Administration Manager (SAM DX) Server	The SAM DX Client Application Software resides on a server, which is referred to in this document as the SAM DX server. The SAM DX server connects to multiple Aperio GT 450 DX scanners. For requirements for this server, see SAM DX Server Minimum Specifications (on page 14) .
Aperio GT 450 SAM DX Client Application Software	The SAM DX client application software enables IT implementation, PIN configuration, and service access of multiple scanners from a single desktop client location for IT professionals.
Workstation, monitor and keyboard	A workstation, monitor and keyboard must be connected to your local area network with access to the SAM DX server to administer the Aperio GT 450 DX scanners.

Aperio GT 450 DX Scanner Specifications

The following sections contain specifications for the Aperio GT 450 DX.

General Scanner Specifications

Feature	Details
Part number	23GT450DXUS
Scanner on/off switch	Located on the right side, near the back of the scanner.
Scanning region	≤ 23.6 mm x 58 mm
Objective lens	Custom optics by Leica Microsystems for native 40x scanning with 1 mm FOV (Field of View).
Brightfield imaging	4k Trilinear camera
Scan output	SVS and DICOM ¹
Overview image resolution	13 µm/pixel for label, barcode, and tissue macro (overview image).
Label/barcode imaging	High resolution main imaging camera used to capture the label/barcode region.
Focusing system	Real-time automatic focusing (U.S. Patent 9841590B2).
Digital slide file format	Standard pyramid tiled TIFF with JPEG image compression.
Illumination	White LED
Operating system	Linux
Connections	<p>The Aperio GT 450 DX has two connectors on the back panel:</p> <ul style="list-style-type: none"> • Power. The appropriate power cord for your geographical region is shipped with the scanner. The power cord plugs into the AC/DC adapter that connects to the back panel. Only use the approved power cord supplied by the manufacturer. • Network. You will need to supply your own network cable.

¹To use the DICOM file format, this feature must be enabled for your scanner. See *Aperio GT 450 DX IT Manager and Lab Administrator's Guide* for details. Also, your IT environment must meet the requirements detailed in the *Aperio DICOM Conformance Statement*.

Feature	Details
Class 1 laser	<p>Laser Compliance. This symbol indicates that the product is a Class 1 Laser Product and is in compliance with international standards and US requirements.</p> <div style="border: 1px solid black; border-radius: 10px; padding: 5px; width: fit-content; margin: 10px auto;"> <p style="text-align: center; margin: 0;">CLASS 1 LASER PRODUCT</p> <p style="font-size: 0.8em; margin: 0;">IEC 60825-1 2014 COMPLIES WITH 21 CFR 1040.10 EXCEPT FOR DEVIATIONS PURSUANT TO LASER NOTICE NO. 56 DATED MAY 8, 2019</p> </div>

Aperio GT 450 DX Features

Feature	Details
Scanning priority	By rack, up to 3 racks at a time.
Continuous loading	Continuous rack loading without interrupting scanning.
Slide loading	Automatic: up to 450 1-inch x 3-in (2.54 cm x 7.62 cm) slides.
Slide calibration	Each slide scan is automatically calibrated.
Automated image quality check	Each scan image is automatically checked for image quality during scanning.
Tissue finding	Automatic
Touch-screen	<ul style="list-style-type: none"> • 10.1" diagonal, IPS, 16:10, 1280 x 800 resolution • Viewing angles: 85/85/85/85 • Contrast ratio: 800:1
Embedded Vision Processing Unit (VPU)	The VPU is an embedded processor that runs the Aperio GT 450 DX controller software. For instructions on determining the version of the software included on this unit, see the <i>Aperio GT 450 DX IT Manager and Lab Administrator's Guide</i> .

Performance Specifications

Feature	Details
Scan speed	< 32 sec/slide, 15 mm x 15 mm at 40x.
Throughput	Sustained throughput 81 slides per hour 15 mm x 15 mm (40x).
Scanning resolution	0.26 μm /pixel at 40x.

Power Specifications

Feature	Details
Input Power	External AC/DC adapter (Power Supply Unit): 100-240V, 50/60Hz, 5A max; Instrument: 24V --- 10.5A.
Power consumption	+24VDC @ 10.5 amps RMS
Uninterruptible Power Supply (UPS)	To protect the scanner, Leica Biosystems recommends using a UPS rated at 2200VA with power conditioning that protects connected loads from electrical surges and spikes, lightning, and other power disturbances. The UPS allows the scanner to run for an additional 20-30 minutes, giving you time to safely shut it down.

Slides and Rack Specifications

Feature	Details
Slides accepted	<p>The Aperio GT 450 DX is optimized for scanning glass slides with coverslips affixed with mounting media.</p> <ul style="list-style-type: none"> 1-inch x 3-inch (2.54 cm x 7.62 cm) glass slides. Measurements comply with ISO 8037/1. Minimum slide size: 25 mm (wide) x 75 mm (long) Maximum slide size: 26 mm (wide) x 76 mm (long) Thickness: Optimized for range of 0.9 mm to 1.1 mm, excluding coverslip <p>The coverslip/label shall not protrude beyond the edge of the glass slide. The entire coverslip and label must be adhered to the glass slide. There must be no lifted edges or parts of the coverslip/label. The outer surface of the slide must be dry.</p> <p>Slides are typically prepared using:</p> <ul style="list-style-type: none"> Glass coverslip with mounting media such as Eukitt Film coverslip with integrated glue <p>Maximum tissue thickness (including mounting media) optimized for 3–5 μm.</p>
Coverslips accepted	Optimized for coverslip with thickness of 0.17 mm, made of typical coverslip material: Standard microscope cover glass or Cellulose Tri-Acetate film (microscope cover film).
Racks accepted	Optimized and recommended for use with Leica HistoCore Spectra workstation racks (stainer and coverslipper), which include the Leica Universal Rack 30-slide capacity. Sakura Prisma Stainer and Coverslipper Rack 20-slide capacity racks also accepted.

Feature	Details
Racks provided	15 Leica Universal racks, 30-slide capacity (part number 23RACKGT450) are provided with the Aperio GT 450 DX.
Label area	<p>25 mm x 25 mm. Handwritten/printed non-transparent, matte (paper-like reflecting) sticker.</p> <p>Labels shall not protrude beyond the edge of the slides nor be lifted.</p> <p>Labels shall not be attached to the bottom of the slide, but only attached to the coverslip-side of the slide.</p> <p>Maximum label thickness 200 microns</p> <p>Minimum label size 12 mm x 25 mm</p> <p>There must be a minimum of 0.5 mm between each side of the barcode and the edge of the label.</p>

Barcode specifications

The Aperio GT 450 DX supports the following barcodes:

- NW7
- QR Code
- Data Matrix*
- Interleaved 2 of 5
- Code 39
- Code 128
- PDF417
- MicroPDF417
- Aztec

*DataMatrix ECC 000-140 is not supported.

Barcode characters supported

- Follow the guidelines for supported characters based on the type of barcode you are using.
- For QR codes that contain language sets other than ISO-8859-1, Leica Biosystems recommends encoding the QR code in UTF-8.

Barcode string length specifications

Barcode type	Minimum barcode string length (characters)	Maximum barcode string length (characters)
Code 39, Code 128, Interleaved 2 of 5	4	64
CODABAR (NW7)	5	64
QRCODE, PDF417, Micro PDF417, Datamatrix	1	64
Aztec	1	64

Environmental Specifications

Feature	Details
Dimensions	20.8" (52.83 cm) Width x 28" (71.12 cm) Depth x 19.5" (49.53 cm) Height
Weight	140 lbs (63.5 kg)
Work surface specifications and required clearances	Standard laboratory grade work bench with at least 24" (61 cm) Width x 28" to 32" (71.12–81.28 cm) Depth x 29.25" (74.3 cm) Height, open area leveled to ± 1.0 degrees. Ensure you leave 13 inch (33 cm) clearance on the left side of each scanner to provide access for maintenance activities, and leave 3–4 inches (8–10 cm) on the right side of each scanner for access to the power switch.
Operating conditions	The Aperio GT 450 DX is designed to be operated under the following environmental conditions: <ul style="list-style-type: none"> • Indoor use • Overvoltage Category II • 20% to 80% relative humidity (RH), non-condensing • Operating temperature: 15° to 30°C (59° to 86°F)
Storage conditions	0° to 50°C, 25% to 95% RH, non-condensing
Transport conditions	-30° to 50°C, 25% to 95% RH, non-condensing
System heat dissipation	Maximum 870 BTU/hr.
Maximum elevation	10,000 ft
Degree of pollution	2
Environmental	RoHS conform (Restriction of Hazardous Substances) according to Directive 2011/65/EU

Network Specifications

Feature	Details
Network interface	1 gigabit per second Ethernet
Bandwidth requirements	For the connection between the Aperio GT 450 DX and the SAM DX server, the required minimum bandwidth is a gigabit ethernet with a speed equal to or greater than 1 gigabit per second (Gbps). For the connection between the SAM DX server and the image repository (DSR), the required minimum bandwidth is 10 gigabits per second.

Routine setup and functional verification is required by a Leica Biosystems Service representative after shipping.

SAM DX Server Minimum Specifications

This section provides the minimum specifications for the server that hosts the SAM DX application software. Your SAM DX server must meet or exceed these requirements.



The Scanner Administration Manager (SAM DX) supports multiple Aperio GT 450 DX scanners. Multiple SAM DX servers can be added to your network.

For information on recommended network configuration and data flow for the Aperio GT 450 DX, see [Aperio GT 450 DX Recommended Network Configuration \(on page 16\)](#) and the *Aperio GT 450 DX IT Manager and Lab Administrator's Guide*.

Feature	Details
CPU	Intel Xeon Silver 4114 2.2G, 10C/20T, 9.6GT/s, 14M Cache, Turbo, HT (85W) DDR4-2400
Hard disk space	(2) 800GB SSD SATA Mix Use 6Gbps 512n 2.5in Hot-plug Drive, Hawk-M4E, 3 DWPD, 4380 TBW
Memory	Memory DIMM Type and Speed Quantity: (2) 16GB 2666MT/s RDIMMs
Network card	Intel Ethernet Converged Network Adapter X550-T2 2-port 1/10Gb Base-T network adapter - PCIe 3
Operating system	Microsoft Windows Server 2022 (recommended) Microsoft Windows Server 2019 (minimum)

Aperio GT 450 DX Compliance Specifications

This device complies with Part 15 of the FCC rules. Operation is subject to the following two conditions:

- this device may not cause harmful interference, and;
- this device must accept any interference received, including interference that may cause undesired operation.

This device has been evaluated against and conforms to the following standards:

Feature	Details
Safety	 <p>IEC 61010-1: 2010/AMD1:2016 IEC 61010-2-101: 2018 CAN/CSA C22.2 No. 61010-1:2012/A1:2018 CAN/CSA C22.2 No. 61010-2-101:2019 UL 61010-1:2012/R2019-07 UL 61010-2-101:2019</p>
EMC	<p>IEC 61326-1:2013 IEC 61326-2-6:2021 CISPR 11: 2015 FCC Part 15 Subpart B ICES-003 Issue 6: 2016 CNS13438: 2006 KN 32: 2015-12 KN 35: 2015-12</p>

Aperio GT 450 DX Recommended Network Configuration

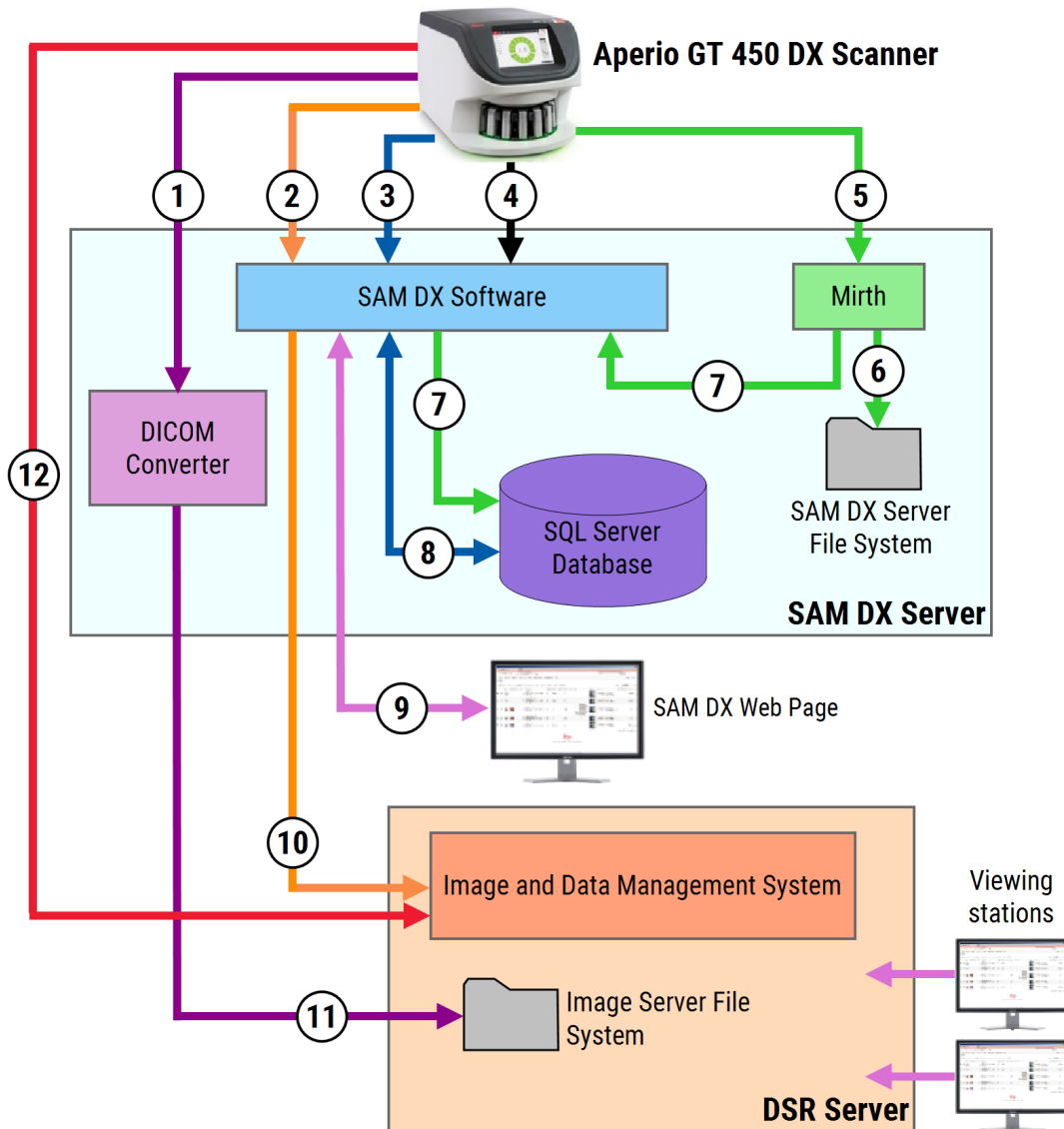
This section describes the recommended way to connect your Aperio GT 450 DX in your IT environment for optimal performance.

For more details on this topic, see the *Aperio GT 450 DX IT Manager and Lab Administrator's Guide*.



IT network failure may lead to delay in diagnosis/prognosis until the network is restored.

Figure 1: Recommended network configuration



Legend

1	Image Data, TCP 2762, TLS	7	Events, HTTPS 44386, TLS
2	Image metadata, Port 44386, HTTPS	8	Configuration data
3	Configuration data, Port 44386, HTTPS	9	WebApp, HTTPS 443
4	Time synchronization, Port 123	10	Image metadata, HTTPS 44386
5	Event logs; Ports 6662, 6663	11	Image data; SMB3 (uses UDP 137, 138; TCP 139, 445)
6	Log Data	12	Image data; TCP 2762 (stunnel optional)

Data Type	Description	Port
Image Data	By default, the Scanner sends DICOM image data to the DICOM converter. The data is sent using TLS encryption. Configure the communication between the scanner and the DICOM converter using the Hostname and Port settings on the Images configuration page.	TCP 2762
	By default, the DICOM converter sends the image data (either as a converted SVS file, or as raw DICOM data) to the image and data management system (IDMS) on the DSR Server. The data is sent using SMB3 Encryption. Configure the communication between the DICOM converter and the DSR using the File Location setting on the Images page.	UDP 137, 138 TCP 139, 445
	Alternatively, the scanner may send image data to the Sectra module, bypassing the DICOM Converter. This option is only available when using the Sectra Digital Pathology Module. This connection is not encrypted by default. To secure this connection, you can configure stunnel to create a secure communication tunnel between Sectra and the scanner. DICOM C-Store communication between the scanner and Sectra is configured on SAM DX.	TCP 2762-SSL (default) 47823 (stunnel default)
	Images can be sent to viewing stations connected to the DSR.	HTTP(S) 80/443
Scanner Configuration Data	The scanner sends a call to the SAM DX DataServer to request configuration data. The SAM DX DataServer returns the configuration data to the scanner. The data is sent using TLS Encryption. Communication between the scanner and the SAM DX DataServer is configured on the scanner.	HTTPS 44386
	The SAM DX software stores the configuration data on the SQL Server Database on the SAM DX Server.	TCP 1433
	The SAM DX DataServer displays the configuration data through the SAM DX web page.	HTTP(S) 80/443

Data Type	Description	Port
Time Synchronization	Timeclock synchronization between SAM DX and multiple scanners is maintained using network time protocol.	UDP 123
Image Metadata	<p>When using Aperio eSlide Manager: The Scanner sends Image Metadata to the SAM DX DataServer using TLS encryption. Communication between the scanner and the SAM DX DataServer is configured on SAM DX. The SAM DX DataServer sends image metadata to the IDMS location on the DSR. Configure the communication between SAM DX DataServer using the Hostname and Port settings on the SAM DX DSR page.</p> <p>When using Sectra Digital Pathology Module: Image Metadata is embedded directly in the DICOM images that are sent to the Sectra module.</p>	HTTPS 44386
Log and Event Data	<p>The scanner sends logs and event data to the Mirth Connect Server. No sensitive data is transferred.</p> <p>Configure the communication between the scanner and the Mirth Connect Server on the Event Handling configuration page.</p>	<p>The Mirth Connect Server copies critical event and error data to the SAM DX DataServer, and then the SAM DX DataServer sends this data to the SQL database. This is the data reported out via the SAM DX Event Logs.</p> <p>The SAM DX DataServer displays the event data through the SAM DX web page.</p> <p>The Mirth Connect Server processes the Log data and appends the Event Log, which resides on the file system. The communication between Mirth and the Event Log is configured within the Mirth Application setup. It is not accessible through SAM DX.</p>
		TCP 6662, 6663
		HTTPS 44386
		HTTP(S) 80/443